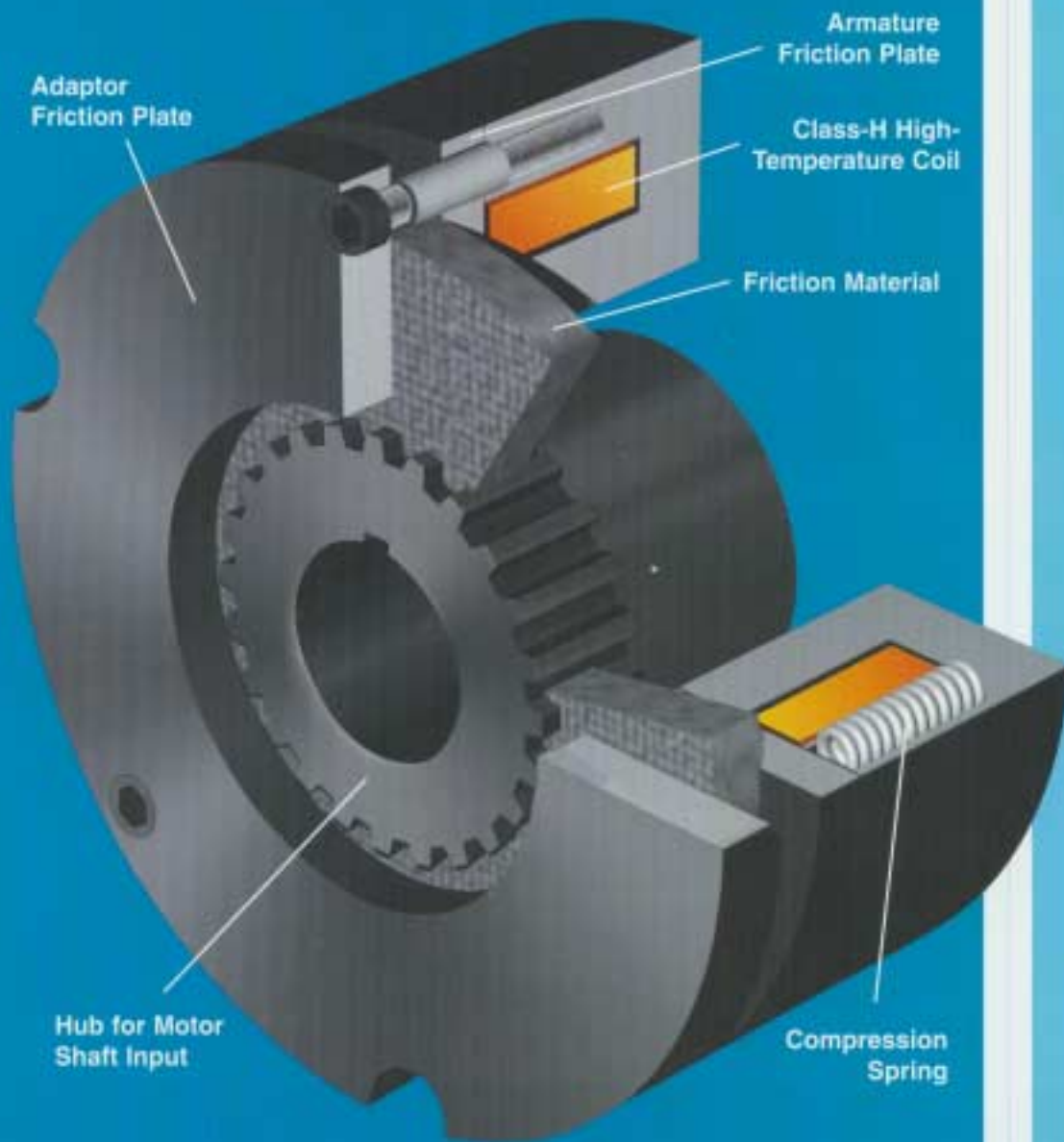


# SAA Series Fail-Safe Brakes for Servo Motors...



A cost effective way for OEM's to have an integral brake built into their servo motors!



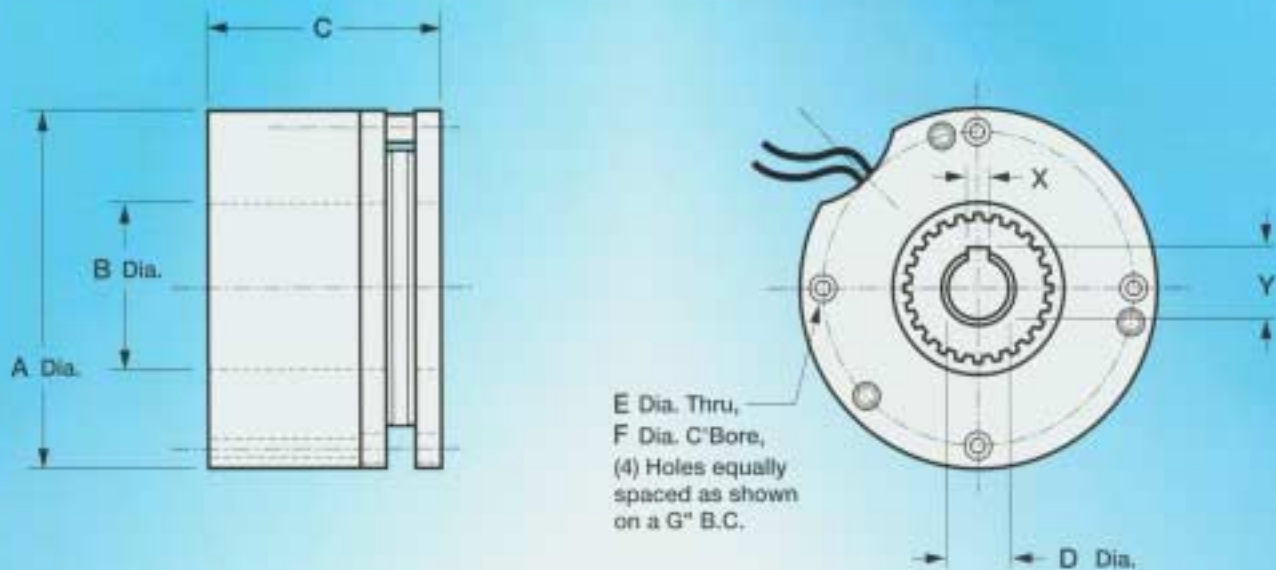
"Simple Solutions to Problems in Motion"

**Stromag, Inc.**

# SAA Series Fail-Safe Brakes for Servo Motors

## Features

- Fail-safe design
- Class-H high-temperature coil insulation
- Direct acting for fast, repeatable engaging time
  - 24- and 100-volt coils available
  - High rotational speed
  - Zero maintenance
  - High-quality construction
- Cost effective for OEM servo motor manufacturers
  - Can be customized for individual applications



Dimensions (Inches)

Model Number	A	B	C	D <sub>MAX</sub>	E	F	G	X	Y
SAA-2403	2.38	0.75	1.42	0.50	0.18	0.31	2.00	0.127	0.56
SAA-3512	3.50	1.62	1.81	1.00	0.18	0.31	3.13	0.19	0.65
SAA-5030	5.00	2.12	2.31	1.50	0.22	0.38	4.50	0.25	1.11
SAA-6090	6.00	2.19	1.80	1.50	0.27	0.44	5.63	0.25	1.61

## Specifications

Model Number	Max Torque in-lb	Max RPM	Inertia in-lb-sec <sup>2</sup>	Coil Watts	Set* Time ms	Release* Time ms
SAA-2403	30	5000	0.00003	18	50	100
SAA-3512	90	5000	0.0009	21	50	100
SAA-5030	300	5000	0.0027	28	50	100
SAA-6090	1000	4500	0.0050	37	50	100

\*Times typical for switching on DC side.



## **Stromag, Inc.**

85 Westpark Road • Dayton, OH 45459  
 Phone 513/433-3882 • FAX 513/433-6598  
 (Area Code changes to 937 on 9/96)