

STROMAG

Simple solutions to problems in motion

Stromag

If your products depend upon control of electrically driven components, Stromag products can be critical elements in their performance.

Stromag designs, develops and manufactures "Simple solutions to problems in motion". These solutions include products that range from torsional couplings for power transmission to a variety of highly engineered specialty brakes for electric drives.



Accepted as a standard in servomotor applications, Stromag brakes have applications in many specialized markets, including:

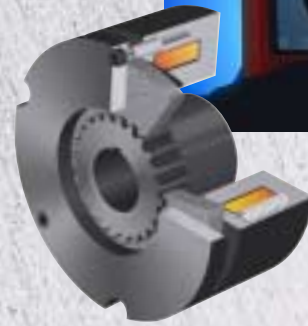
- Material handling
- Lift trucks
- Fail-safe brakes
- Automation equipment
- Off-highway vehicles
- HVAC drives

Whether your product needs to stop on a dime or settle like a feather, Stromag has the expertise to engineer a brake solution that will fit your application like a glove.

A heritage of excellence

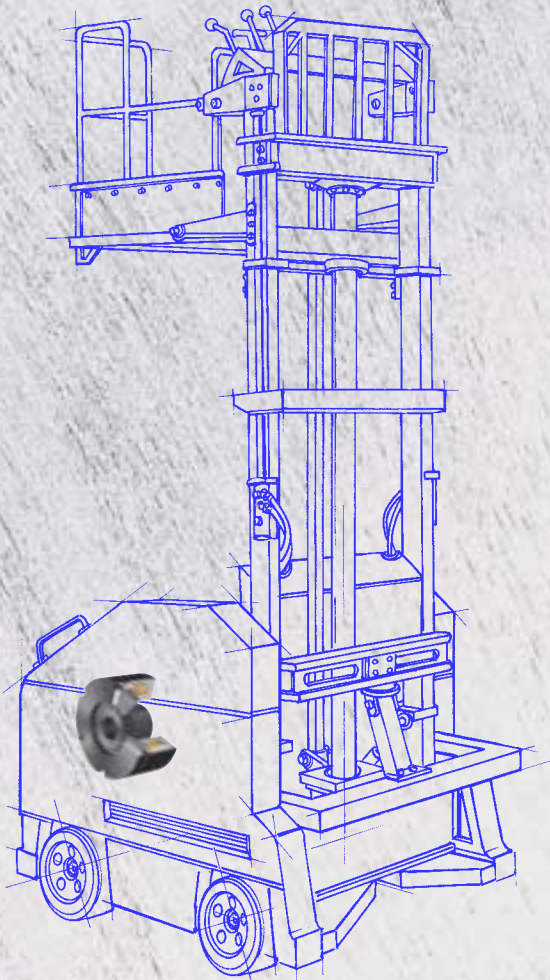
Stromag, Inc. was created in 1972 as a joint venture between James W. Albrecht and Stromag AG of Germany, founded in 1932.

Working with our customers' design engineers, the company



develops products from concept design, through prototypes and

manufacturing. Each component is engineered to specifically match the requirements of your product. Stromag customers have access to Stromag Europe's research and development, engineering, drawings, specifications and documentation resources.



State of the art technology

Regular investments in updated systems mean our customers' products benefit from the quality and precision of computerized processes in every phase of our operations.



and durability, Stromag manufacturers each component for our products from raw stock.

Strong statistical controls, evidenced by Stromag's ISO 9001 Certification, further enhance the quality and reliability of our products.



Having experienced sustained growth for more than a decade, Stromag has in place strong financial controls and the stability to perform as a dependable, just-in-time vendor partner for our customers.

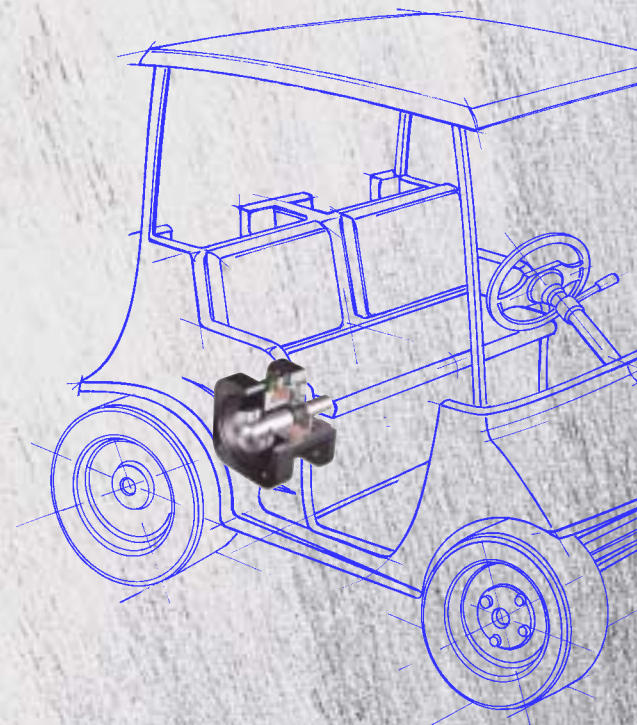
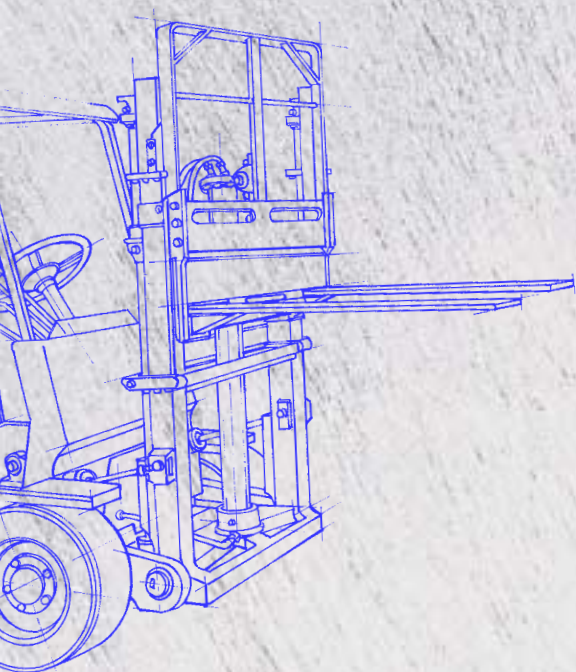


These benefits start with computer aided design, to CNC turning, drilling and milling machines and CNC multi-position tool changers with pallet loading capabilities. To insure consistent quality



A wealth of experience

Our customers enjoy the benefits of a highly trained, stable and experienced work force performing in a sound corporate environment. Over one third of our employees have been with the company for over 10 years.



**A habit of providing
outstanding customer
service**

Stromag has been awarded superior vendor service awards for ___ years running. From the front door to the shipping desk, our employees are dedicated to providing superior customer service.



Stromag

Simple solutions to problems in motion

Stromag, Inc.
85 Westpark Road,
Centerville (Dayton), OH 45459
Phone: 937.433.3882
Fax: 937.433.6598
www.stromagusa.com